



PRODUCT ORDERING GUIDE

**For UL 325 Listed
Commercial and Industrial
Door Operators
Built After
August 29, 2010**

*Subject to change.

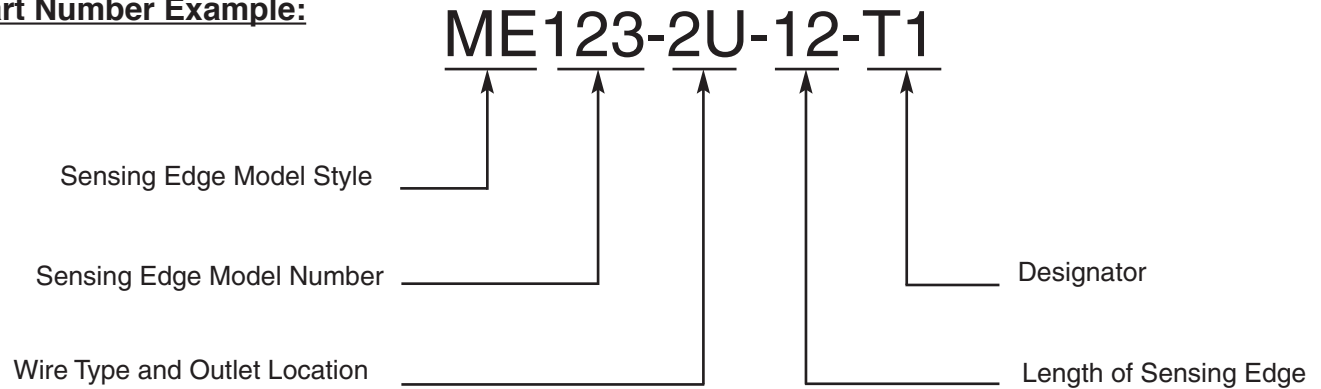
Please contact Miller Edge or your operator manufacturer for current compliance information

PRODUCT ORDERING GUIDE

This Product Ordering Guide was developed to aid you in selecting the proper products for use with UL Listed Commercial and Industrial door operators built after August 29, 2010. We have included product recommendations for both monitored and ancillary devices for most of the leading operator manufacturers. The chart below outlines the Monitored Sensing Edge Designator and its properties. It is important to understand the formula for creating a Miller Edge Part number. If you have any questions, feel free to contact your local Miller Edge Sales Representative.

(Eastern Time - 1-800-220-3343) (Mountain Time - 1-800-887-3343)

Part Number Example:



Monitored Sensing Edge Designator

2 Wire Edge Designator ex. ME123-2U-12-T2	Designator Description	Operator Manufacturer	Outlet Wire Color Code
T1	8.2K Ohm Resistor	Typically European Use	Green
T2	10K Ohm Resistor	Cornell / US Gear LiftMaster / Chamberlain Linear Manaras Micanan Raynor VE Power Door Cookson Lawrence	Blue
T3	Diode Capacitor	Overhead Door (Only)	Red
T4	Capacitor	Linear (Transmitter)	White
T5	6.8K Ohm Resistor	Custom Applications	Orange
T6	270K Ohm Resistor	LiftMaster CPS Board	Violet
4 Wire Edge Designator ex. ME123-4U-12	N/A	LiftMaster	None

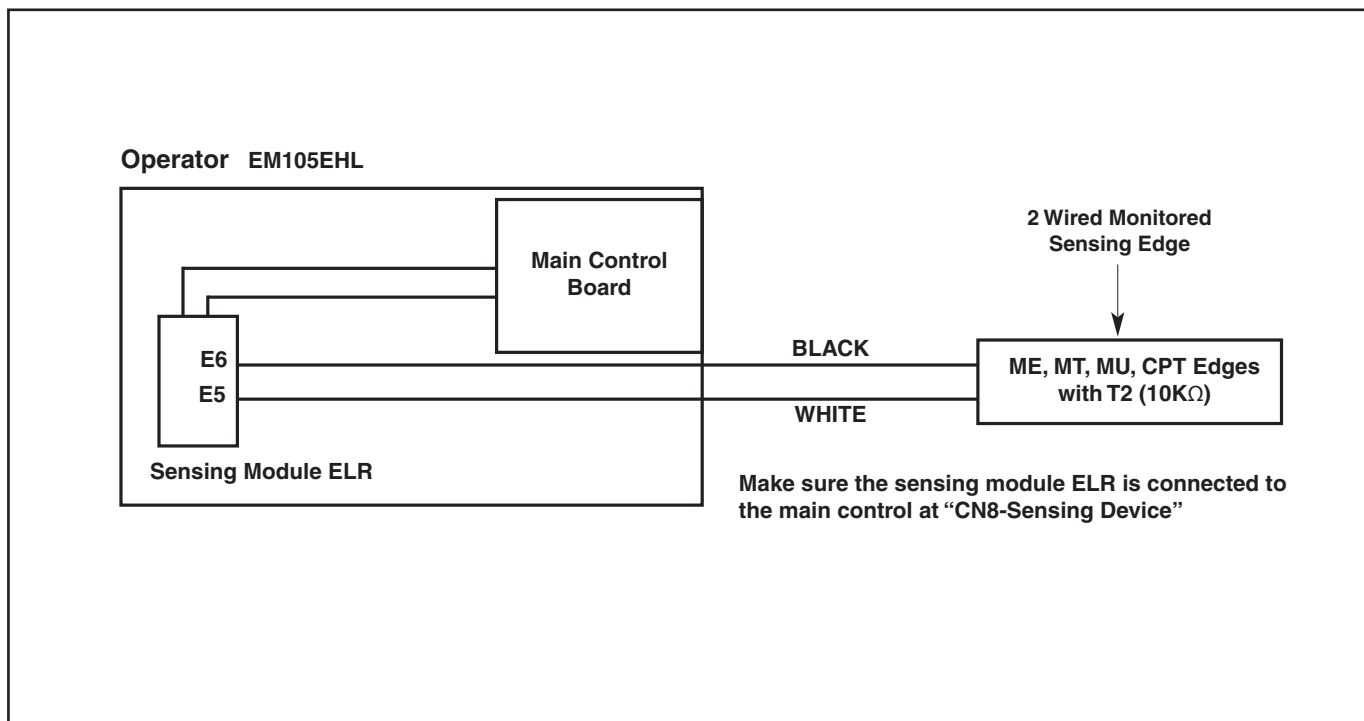
*Subject to change.

Please contact Miller Edge or your operator manufacturer for current compliance information

CORNELL MG/SG / US GEAR

Operator Manufacturer	Monitored Device	Ancillary Device
<p>Cornell / US Gear</p>	<p><u>SENSING EDGE</u> NO SIGNATURE MODULE REQUIRED Use any 2 wire monitored Miller Edge model beginning with ME, MT, MU, CPT with a T2* Designator <i>Example: ME110-2R-12-T2</i> or <u>PHOTO EYE</u> Operator Provided Monitored Photo Eye</p>	<p>Any 2 Wire Normally Open (N.O.) - ME, MT, MU, CPT, Air-Wave, Pneumatic, Invisi-Guard, Light Curtain, Patriot, or Photo Eye</p>

Monitored Device Wiring Diagram



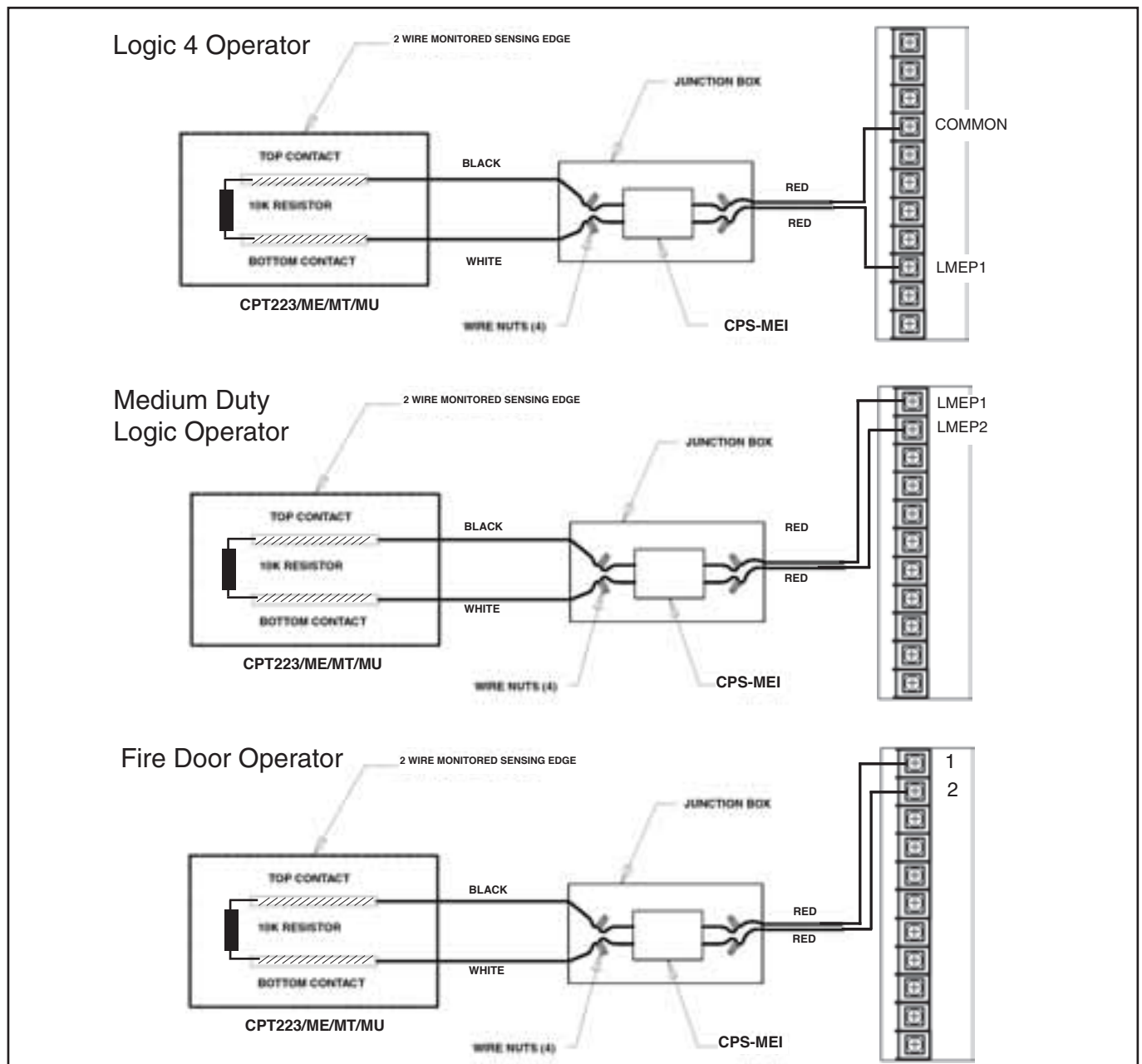
* T2 - an embedded 10KΩ resistor with a Blue Band on the edge outlet wire

*Subject to change.

LIFTMASTER / CHAMBERLAIN

Operator Manufacturer	Monitored Device	Ancillary Device
Liftmaster/ Chamberlain	<p><u>SENSING EDGE</u> USE CPS-MEI Module from Chamberlain with any 2 wire monitored Miller Edge model beginning with ME, MT, MU, CPT with a T2* Designator Example: ME123-2U-12-T2 or <u>PHOTO EYE</u> Operator Provided Monitored Photo Eye</p>	<p>Any 2 Wire Normally Open (N.O.) - ME, MT, MU, CPT, Air-Wave, Pneumatic, Invisi-Guard, Light Curtain, Patriot, or Photo Eye</p>

Monitored Device Wiring Diagrams



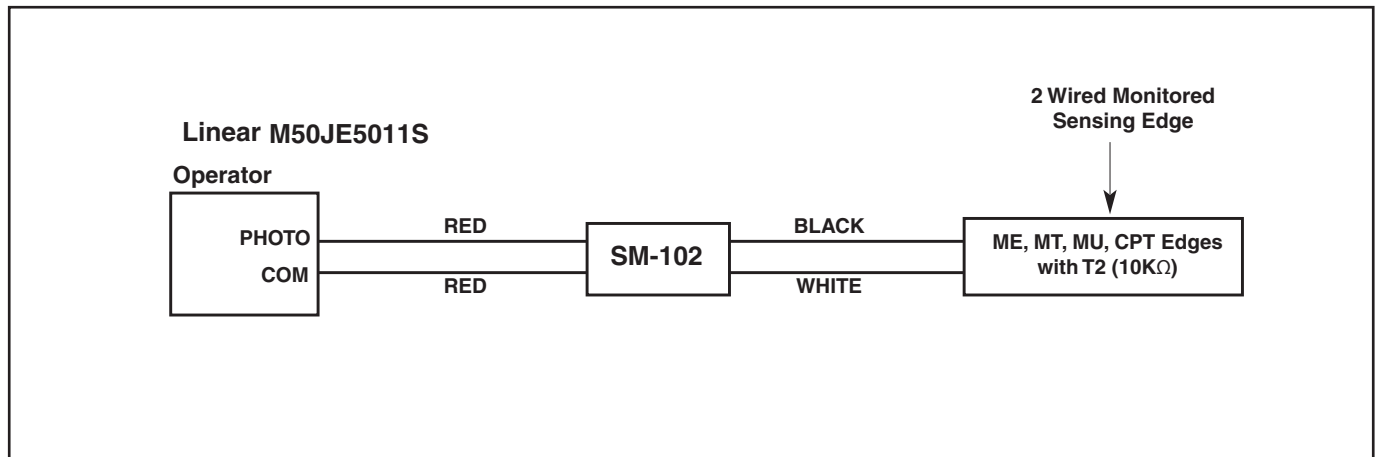
* T2 - an embedded 10KΩ resistor with a Blue Band on the edge outlet wire

*Subject to change.

LINEAR

Operator Manufacturer	Monitored Device	Ancillary Device
Linear	<p><u>SENSING EDGE</u></p> <p>USE SM-102 with any 2 wire monitored Miller Edge model beginning with ME, MT, MU, CPT with a T2* Designator</p> <p>Example: ME123-2U-12-T2</p> <p>or</p> <p><u>PHOTO EYE</u></p> <p>Operator Provided Monitored Photo Eye</p>	<p>Any 2 Wire Normally Open (N.O.) - ME, MT, MU, CPT, Air-Wave, Pneumatic, Invisi-Guard, Light Curtain, Patriot, or Photo Eye</p>

Monitored Device Wiring Diagram



* T2 - an embedded 10KΩ resistor with a Blue Band on the edge outlet wire

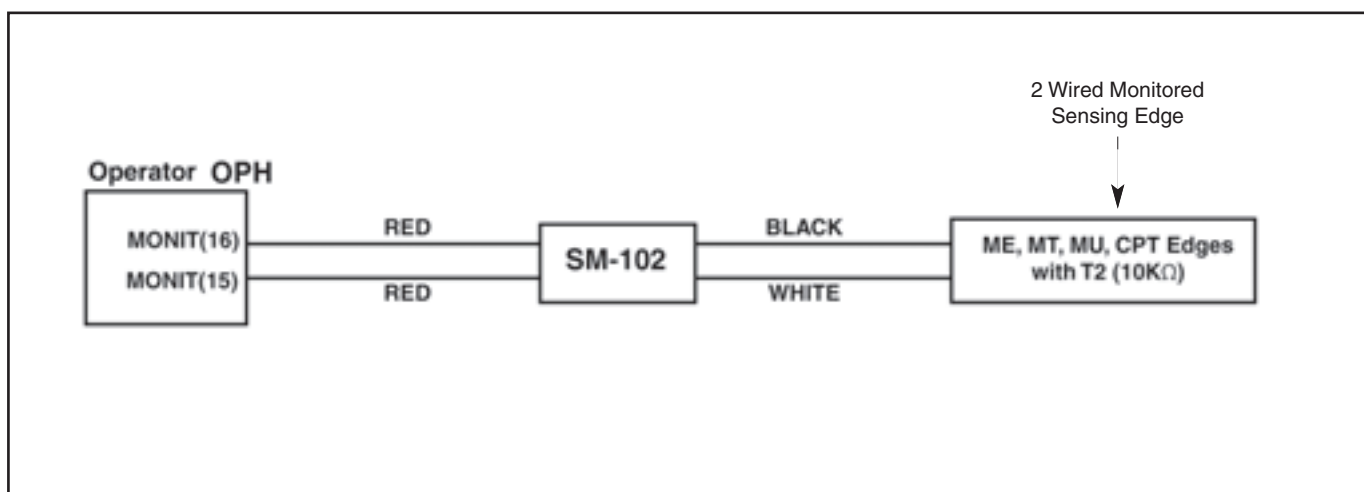
*Subject to change.

Please contact Miller Edge or your operator manufacturer for current compliance information

MANARAS - OPERA

Operator Manufacturer	Monitored Device	Ancillary Device
<p>Manaras</p>	<p><u>SENSING EDGE</u> USE SM-102 with any 2 wire monitored Miller Edge model beginning with ME, MT, MU, CPT with a T2* Designator Example: ME123-2U-12-T2 or <u>PHOTO EYE</u> Operator Provided Monitored Photo Eye</p>	<p>Any 2 Wire Normally Open (N.O.) - ME, MT, MU, CPT, Air-Wave, Pneumatic, Invisi-Guard, Light Curtain, Patriot, or Photo Eye</p>

Monitored Device Wiring Diagram



* T2 - an embedded 10KΩ resistor with a Blue Band on the edge outlet wire

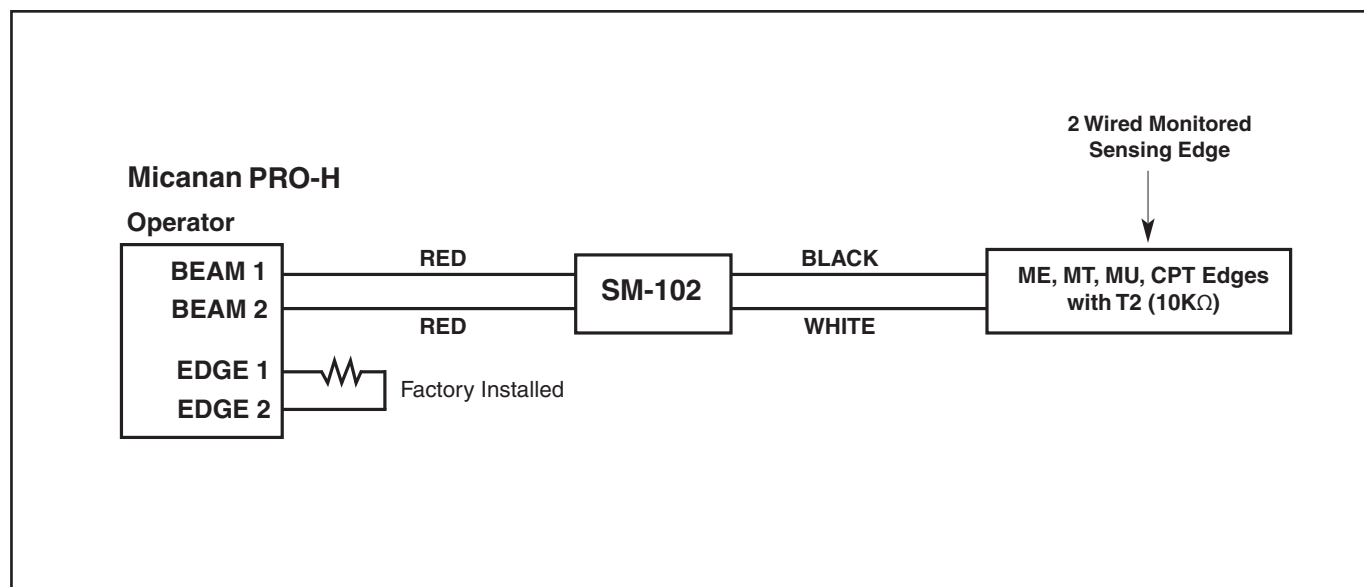
*Subject to change.

Please contact Miller Edge or your operator manufacturer for current compliance information

MICANAN

Operator Manufacturer	Monitored Device	Ancillary Device
Micanan	<p><u>SENSING EDGE</u></p> <p>USE SM-102 with any 2 wire monitored Miller Edge model beginning with ME, MT, MU, CPT with a T2* Designator</p> <p>Example: ME123-2U-12-T2</p> <p>or</p> <p><u>PHOTO EYE</u></p> <p>Operator Provided Monitored Photo Eye</p>	Any 2 Wire Normally Open (N.O.) - ME, MT, MU, CPT, Air-Wave, Pneumatic, Invisi-Guard, Light Curtain, Patriot, or Photo Eye

Monitored Device Wiring Diagram



* T2 - an embedded 10KΩ resistor with a Blue Band on the edge outlet wire

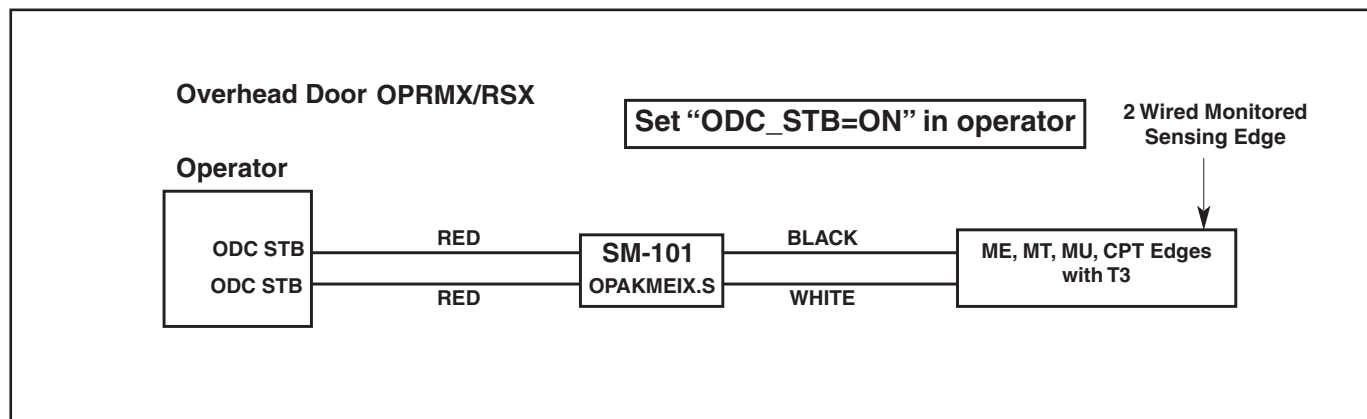
*Subject to change.

Please contact Miller Edge or your operator manufacturer for current compliance information

OVERHEAD DOOR

Operator Manufacturer	Monitored Device	Ancillary Device
Overhead Door	<p align="center"><u>SENSING EDGE</u></p> <p align="center">USE Miller Edge P/N SM-101 or Overhead Door P/N OPAKMEIX.S with any 2 wire monitored Miller Edge model beginning with ME, MT, MU, CPT with a T3**Designator or <u>PHOTO EYE</u></p> <p align="center">Operator Provided Monitored Photo Eye</p>	<p>Any 2 Wire Normally Open (N.O.) - ME, MT, MU, CPT, Air-Wave, Pneumatic, Invisi-Guard, Light Curtain, Patriot, or Photo Eye</p>

Monitored Device Wiring Diagram



** T3 - an embedded diode capacitor with a Red Band on the edge outlet wire

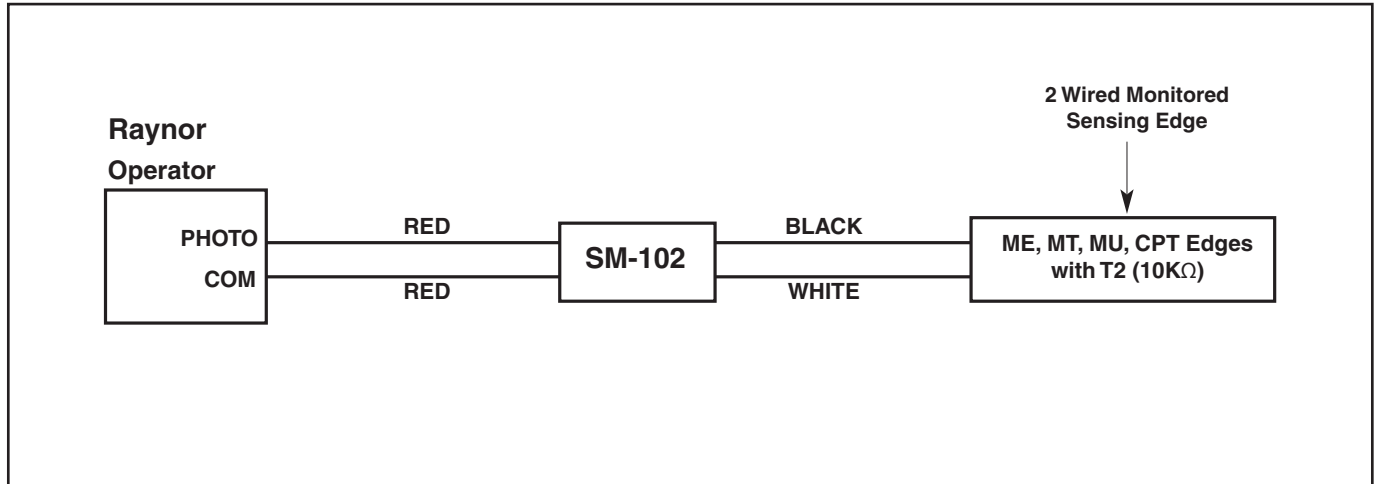
*Subject to change.

Please contact Miller Edge or your operator manufacturer for current compliance information

RAYNOR

Operator Manufacturer	Monitored Device	Ancillary Device
Raynor	<p><u>SENSING EDGE</u></p> <p>USE SM-102 with any 2 wire monitored Miller Edge model beginning with ME, MT, MU, CPT with a T2* Designator</p> <p>Example: ME123-2U-12-T2</p> <p>or</p> <p><u>PHOTO EYE</u></p> <p>Operator Provided Monitored Photo Eye</p>	Any 2 Wire Normally Open (N.O.) - ME, MT, MU, CPT, Air-Wave, Pneumatic, Invisi-Guard, Light Curtain, Patriot, or Photo Eye

Monitored Device Wiring Diagrams



* T2 - an embedded 10KΩ resistor with a Blue Band on the edge outlet wire

*Subject to change.

Please contact Miller Edge or your operator manufacturer for current compliance information

VE POWER DOOR

Operator Manufacturer	Monitored Device	Ancillary Device
VE Power Door	<p style="text-align: center;"><u>SENSING EDGE</u></p> <p style="text-align: center;">USE SM-102 with any 2 wire monitored Miller Edge model beginning with ME, MT, MU, CPT with a T2* Designator <i>Example: ME123-2U-12-T2</i></p> <p style="text-align: center;">or</p> <p style="text-align: center;"><u>PHOTO EYE</u></p> <p style="text-align: center;">Operator Provided Monitored Photo Eye</p>	<p>Any 2 Wire Normally Open (N.O.) - ME, MT, MU, CPT, Air- Wave, Pneumatic, Invisi-Guard, Light Curtain, Patriot, or Photo Eye</p>

COOKSON

Operator Manufacturer	Monitored Device	Ancillary Device
Cookson	<p style="text-align: center;"><u>SENSING EDGE</u></p> <p style="text-align: center;">NO SIGNATURE MODULE REQUIRED</p> <p>Use any 2 wire monitored Miller Edge model beginning with ME, MT, MU, CPT with a T2* Designator <i>Example: ME110-2R-12-T2</i></p> <p style="text-align: center;">or</p> <p style="text-align: center;"><u>PHOTO EYE</u></p> <p style="text-align: center;">Operator Provided Monitored Photo Eye</p>	<p>Any 2 Wire Normally Open (N.O.) - ME, MT, MU, CPT, Air- Wave, Pneumatic, Invisi-Guard, Light Curtain, Patriot, or Photo Eye</p>

LAWRENCE

Operator Manufacturer	Monitored Device	Ancillary Device
Lawrence	<p style="text-align: center;"><u>SENSING EDGE</u></p> <p style="text-align: center;">NO SIGNATURE MODULE REQUIRED</p> <p>Use any 2 wire monitored Miller Edge model beginning with ME, MT, MU, CPT with a T2* Designator <i>Example: ME110-2R-12-T2</i></p> <p style="text-align: center;">or</p> <p style="text-align: center;"><u>PHOTO EYE</u></p> <p style="text-align: center;">Operator Provided Monitored Photo Eye</p>	<p>Any 2 Wire Normally Open (N.O.) - ME, MT, MU, CPT, Air- Wave, Pneumatic, Invisi-Guard, Light Curtain, Patriot, or Photo Eye</p>

* T2 - an embedded 10KΩ resistor with a Blue Band on the edge outlet wire

*Subject to change.