



# Patriot 2 *Non-Contact Monitored Telescopic Edge Sensor*

## INSTALLATION INSTRUCTIONS

Model # MIRM-T2 30/50Ft.

US PAT.# 6,920,717 6,651,385



### IMPORTANT:

**READ AND UNDERSTAND ALL INSTRUCTIONS BEFORE BEGINNING INSTALLATION.**

The Patriot 2 edge sensor is designed to transmit an infrared light beam from an emitter to a receiver housed below the bottom edge of the door. The emitting and receiving "eyes" plug into the bottom of the retracting legs. If the beam is interrupted by an object or person below the door, signals are sent to the door operator to stop and/or reverse the door.

## 1- Kit Contents

### MIRM-T2 (30 Feet)

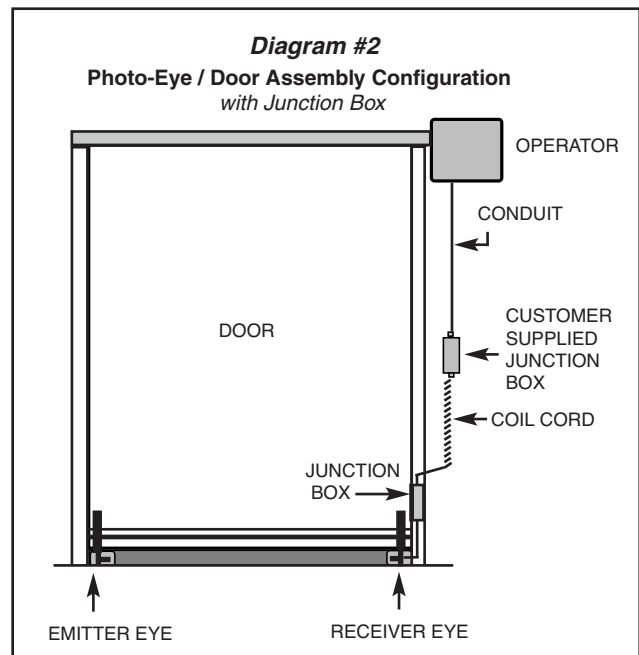
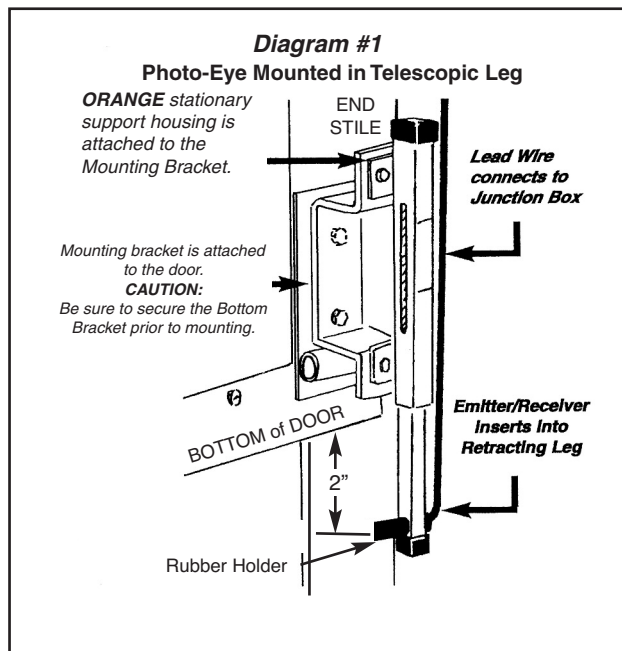
- (1) Installation Instructions
- (1) MIRM-E2 PE MONITORED EMITTER EXT.30
- (1) MIRM-R2 PE MONITORED RECEIVER EXT.30
- (1) MIR-T2-TK PE PATRIOT 2 TELESCOPIC LEG KIT
- (1) C222-15B 15FT. COIL CORD
- (1) JB-02-Z JUNCTION BOX WITH COVER

### MIRM-T2-50 (50 Feet)

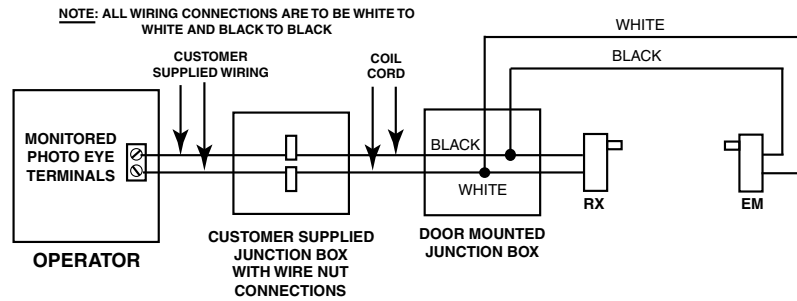
- (1) Installation Instructions
- (1) MIRM-E2-50 PE MONITORED EMITTER EXT. 50
- (1) MIRM-R2 PE MONITORED RECEIVER EXT. 50
- (1) MIR-T2-TK PE PATRIOT 2 TELESCOPIC LEG KIT
- (1) C222-15B 15FT. COIL CORD
- (1) JB-02-Z JUNCTION BOX WITH COVER

## 2- Mounting

1. Move the door to a comfortable working height.
2. Disconnect ALL Power to the operator.
3. Install photo-eye mounting brackets on bottom corner brackets of door (*See Diagram #1*).
4. Insert photo-eye into hole of each retracting leg. Receiver photo-eye (shorter wire) mounts in the leg closer to the operator side. Emitter photo-eye mounts on the opposite side. Install rubber holders over the photo-eyes to hold in place.
5. Install supplied junction box on bottom section end stile closer to the operator side of door within reach of the receiving photo-eye wire (*See Diagram #2*).
6. Route Emitter photo-eye wire along door to junction box on astragal retainer or suitable surface using clips and wire ties provided. Cut wire to suitable length, and do the same for Receiver photo-eye wire.
7. Install Junction Box on the wall half way up the height of the door on the operator side as shown in Diagram #2 in conjunction with all Federal, State and Local codes.
8. For wiring guide refer to Section #3.



### 3- Wiring Connections



### 4- Technical Specifications

Detection Technology	Infrared Thru-Beam	Cable Length	Rx: 3 Ft.
Infrared Wavelength	940nm		Em Ext: 32/52 Ft.
Infrared Beam Range	30/50 feet	Mounting Method	Telescopic
Response Time	<20msec	Enclosure Material	Aluminum
Alignment Angle	± 10	PE Housing	Telescopic Legs: 12 1/2" x 1 1/4" x 1"
Operating Temperature	-40°F to 185°F (-40° C to 85° C)	Rating	NEMA 4 Class 2
Power Supply	Monitored Photo Eye Terminal	Certification	UL325
Current Consumption	30mA		

### 5- Trouble Shooting Tips

#### Emitter Indicators

LED COLOR	OK STATUS	FAULT	SOLUTION
GREEN	ON = NORMAL OPERATION	OFF = NO POWER	CHECK WIRING

#### Receiver Indicators

LED COLOR	OK STATUS	FAULT	SOLUTION
GREEN	ON = NORMAL OPERATION	OFF = NO POWER	CHECK ALIGNMENT
		BROKEN BEAM	CHECK FOR OBSTRUCTION
RED	OFF = NORMAL OPERATION	ON = OBSTRUCTION	REMOVE OBSTRUCTION

### 6- Warranty

We will replace within two years of shipment from our factory, any Patriot 2 subject to normal use which is found to have defective materials or workmanship, as determined solely by our factory representative. Replacements will be shipped via freight collect. This warranty is void where evidence of misuse or abuse is present.