



Patriot 2 *Non-Contact Monitored* Z-Flap Edge Sensor

INSTALLATION INSTRUCTIONS

Model # MIRM-Z2 30/50Ft.

US PAT.# 6,920,717 6,651,385



IMPORTANT:

READ AND UNDERSTAND ALL INSTRUCTIONS BEFORE BEGINNING INSTALLATION.

The Patriot 2 edge sensor is designed to transmit an infrared light beam from an emitter to a receiver housed below the bottom edge of the door. The emitting and receiving "eyes" slide into the Z-Flaps. If the beam is interrupted by an object or person below the door, signals are sent to the door operator to stop and/or reverse the door.

1- Kit Contents

MIRM-Z2 (30 Feet)

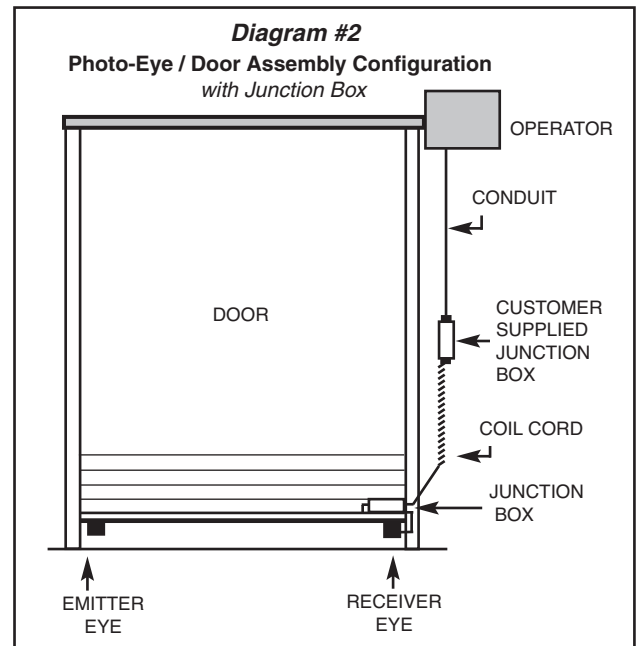
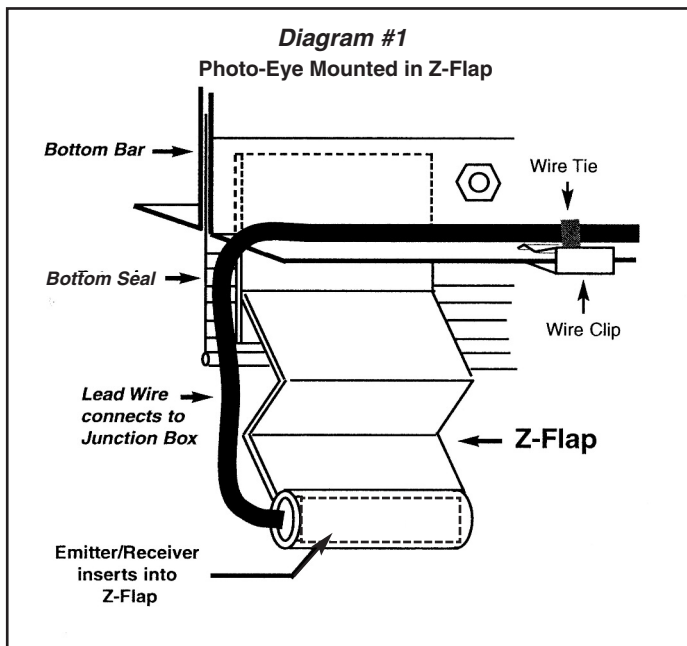
- (1) Installation Instructions
- (1) MIRM-E2 PE MONOTORED EMITTER EXT. 30
- (1) MIRM-R2 PE MONITORED RECEIVER
- (1) MIR-Z2-ZK PE PATRIOT 2 Z-FLAP HOLDER KIT
- (1) C222-15B 15FT. COIL CORD
- (1) JB-02-Z JUNCTION BOX WITH COVER

MIRM-Z2-50 (50 Feet)

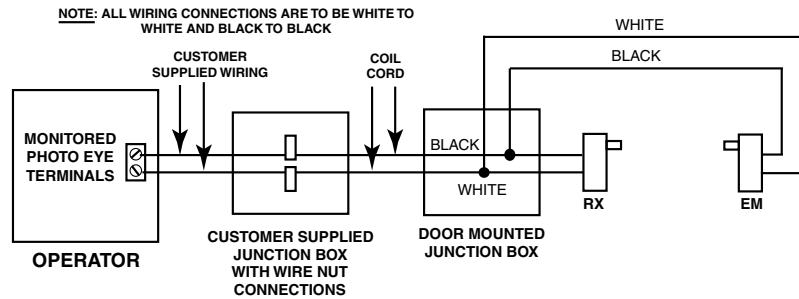
- (1) Installation Instructions
- (1) MIRM-E2-50 PE MONITORED EMITTER EXT. 50
- (1) MIRM-R2 PE MONITORED RECEIVER
- (1) MIR-Z2-ZK PE PATRIOT 2 Z-FLAP HOLDER KIT
- (1) C222-15B 15FT. COIL CORD
- (1) JB-02-Z JUNCTION BOX WITH COVER

2- Mounting

1. Move the door to a comfortable working height.
2. Disconnect ALL Power to the operator.
3. Insert Z-FLAPS into the groove of each holder then install between the bottom bar of the door at each end. *(See Diagram #1).*
4. Insert Receiver Eye (shorter wire) into the Z-FLAP mounted closer to the operator side of the door and the Emitter Eye (longer wire) on the opposite side.
5. Install supplied junction box horizontally on the bottom bar on the operator side of the door within reach of the Receiver Eye. *(See Diagram #2).*
6. Route Emitter photo-eye wire along door to junction box affixing to the bottom bar using supplied clips and wire ties. Cut wire to suitable length, and do the same for receiving photo-eye wire.
7. Install Junction Box on the wall half way up the height of the door on the operator side as shown in Diagram #2 in conjunction with all Federal, State and Local codes.
8. For wiring guide refer to Section #3.



3- Wiring Connections



4- Technical Specifications

Detection Technology	Infrared Thru-Beam	Cable Length	Rx: 3 Ft. Em Ext: 32/52 Ft.
Infrared Wavelength	940nm	Mounting Method	Z-Flap
Infrared Beam Range	30/50 feet	Enclosure Material	PVC
Response Time	<20msec	PE Housing	3 1/4"H x 1 1/2"W x 2 1/4"L
Alignment Angle	± 10	Rating	NEMA 4 Class 2
Operating Temperature	-40°F to 185°F (-40° C to 85° C)	Certification	UL325
Power Supply	Monitored Photo Eye Terminal		
Current Consumption	30mA		

5- Trouble Shooting Tips

Emitter Indicators

LED COLOR	OK STATUS	FAULT	SOLUTION
GREEN	ON = NORMAL OPERATION	OFF = NO POWER	CHECK WIRING

Receiver Indicators

LED COLOR	OK STATUS	FAULT	SOLUTION
GREEN	ON = NORMAL OPERATION	OFF = NO POWER BROKEN BEAM	CHECK ALIGNMENT CHECK FOR OBSTRUCTION
RED	OFF = NORMAL OPERATION	ON = OBSTRUCTION	REMOVE OBSTRUCTION

6- Warranty

We will replace within two years of shipment from our factory, any Patriot 2 subject to normal use which is found to have defective materials or workmanship, as determined solely by our factory representative. Replacements will be shipped via freight collect. This warranty is void where evidence of misuse or abuse is present.