

# The CPT Sensing Edge

## The Premier "Quick-Fix Service Edge"

### Applications

#### **DOORS**

- **Sectional Doors**
- **Rolling Grilles**
- **Counter Shutters**

#### **GATES**

- **Barrier Gate Arms**
- **Sliding Gates**

The CPT Sensing Edge has been developed to provide an efficient and effective **Quick-Fix** safety solution for a variety of door and gate applications. Manufactured from PVC Alloy and available in 50 foot lengths, CPT210 can be easily stored for assembly in the field.

The CPT-210 is the ideal replacement sensing edge solution and includes molded End Plugs (with encapsulated monitored or non-terminated configurations) providing a secure and reliable safety edge, for both door and gate applications.

#### DESIGN FEATURES:

- Build in the field to desired length
- Unique end plug design
- Weather resistant - weather seal
- Easy to install - Cut to fit

#### TECHNICAL SPECIFICATIONS:

**Color:** Black

**Extrusion Length:** Extruded Flexible PVC 50 ft.

**Sensing Edge Size:** 1 3/32" H x 7/8" W

**Sensitivity:** nominal 3-5 lbf

**Lead Wire:** 18" - 22 gauge

**Wire Outlet Location:** Universal

**Wire Configuration:** N.O. (available in N.C.- Contact Factory)

**Electrical Max:** 24V AC/DC

**Contact Element:** "CPT" Conductive Polymer Technology

**Mounting Channel:** High-density PVC

**Electrical Interface:** Sealed Module - Provides seamless connection to "Logic" or "Relay" type operators

**Warranty:** 2 years on manufactured components only  
Failure due to site workmanship is not covered.

ANSI/UL325 Recognized Component



Flexible PVC Extrusion and End Plug

#### FUNCTIONAL BENEFITS:

- Touch Sensitive Signalling
- Small Profile Guards Pinch Points
- Labor Saving: Assembles in Minutes
- Reliable: ANSI/UL325 Recognized Component



**With one service call...you can do it all!**

P.O. Box 159 • West Grove, PA 19390 • (610)869-4422 • Fax: (610)869-4423 • 800-220-3343  
6809 South Harl Avenue, Suite A, Tempe, AZ 85283 • (480)755-3565 • Fax (480)755-3558 • 800-887-3343  
www.milleredge.com



Model # CPT-210

# SensingEdge

## Installation

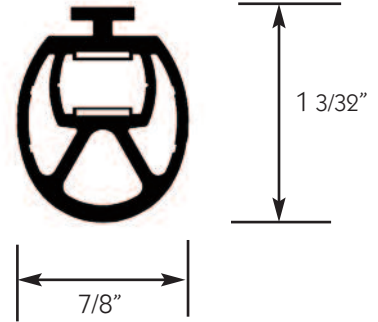
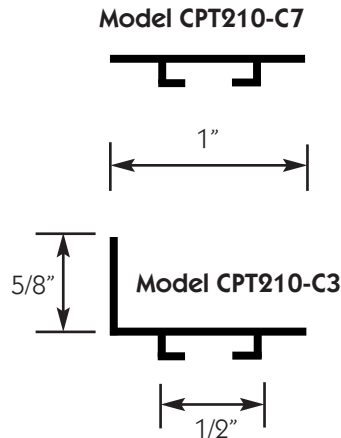
Place appropriate CPT-210 mounting channel in desired location. Drill 1/8" holes through channel and into mounting surface every 24". Attach channel to surface with screws. Slide CPT-210 Sensing Edge into channel and wire to controls.

**Note:** For detailed installation and wiring instructions, contact Miller Edge, Inc.

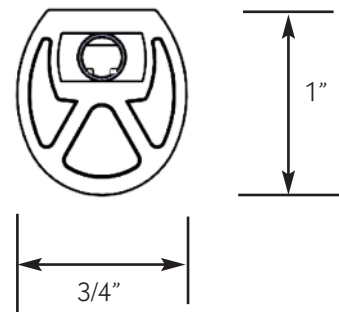
## Care of the CPT-210. . .

Minimum care is required for the CPT-210 since it is manufactured with only the most durable materials and the highest quality control standards. However, Sensing Edges should be examined regularly for cuts or punctures which could damage internal components. Check wiring to be sure connections are secure. When properly maintained, the CPT-210 offers years of trouble free operation.

## Mounting Channels



CPT-210 Extrusion



CPT-210 End Plug



Contact MillerEdge to ensure compatibility with your operating controls.  
U.S. Patent #8,832,996 B2

CPT210\_Spec\_20150223

P.O. Box 159 • West Grove, PA 19390 • (610)869-4422 • Fax: (610)869-4423 • 800-220-3343  
6809 South Harl Avenue, Suite A, Tempe, AZ 85283 • (480)755-3565 • Fax (480)755-3558 • 800-887-3343  
www.milleredge.com