

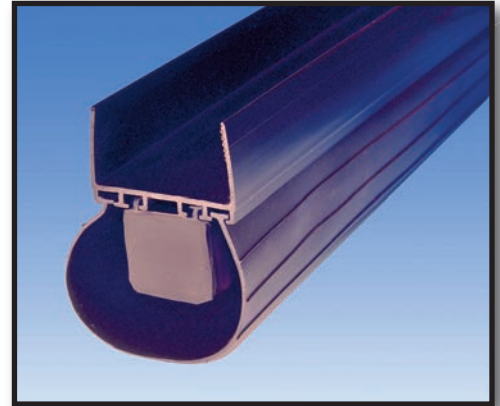
# Clima-GUARD

## Applications

- **Commercial Sectional Doors**

### About the Clima-GUARD...

This pressure sensitive electric edge was designed to provide a tight weather seal for doors having uneven thresholds, thus eliminating the risk of damaging the edge from over-compression. It is manufactured to user specifications for length and outlet location. When touch activated, the Clima-GUARD sends an immediate signal to stop and/or reverse operations depending upon your particular application. This sensing edge retrofits easily to 2" sectional doors.



### OPTIONS:

- 4-wire N.O. electrical configuration
- Air Wave (MAW112)
- Soft Ends
- Coil Cord attached
- Retracting Reel
- 4-wire intrinsically safe control panel (FSIS-35-4)
- Extra Sensitive (ME112XS)

### TECHNICAL SPECIFICATIONS:

Color:	Black
Length:	per specification to nearest 1/4
Lead Wire:	SJTO, 22 gauge, 2ft. length
Sensitivity:	nominal 6-10 lbf
Electrical Diagram:	2 wire N.O. configuration
Electrical Maximum:	24 volt AC or DC, 1/2 amp
Mechanical Diagram:	See drawings on reverse side
Contact Element:	Alumaglas®
Materials:	Extruded Flexible PVC
Mounting Channel:	High - Density PVC
Temperature Range:	-30°F to +155°F
Wire Outlet Location:	Right side, Left side or End

### FUNCTIONAL BENEFITS:

- Amends structural imperfections of the door threshold and provides for a tighter seal
- Eliminates risk of damaging an edge from over-compression of an uneven door
- Optional Yellow Loop Seal color provides visual recognition of hazardous area
- Touch Sensitive Signalling
- Easy to Install

# Model # Clima-GUARD

### Installation

Place Clima-GUARD channel in desired location. Drill 1/8" holes through channel and into mounting surface every 24". Slide Clima-GUARD sensing edge into mounting channel. Attach channel to surface with screws. Wire the Clima-GUARD to controls.

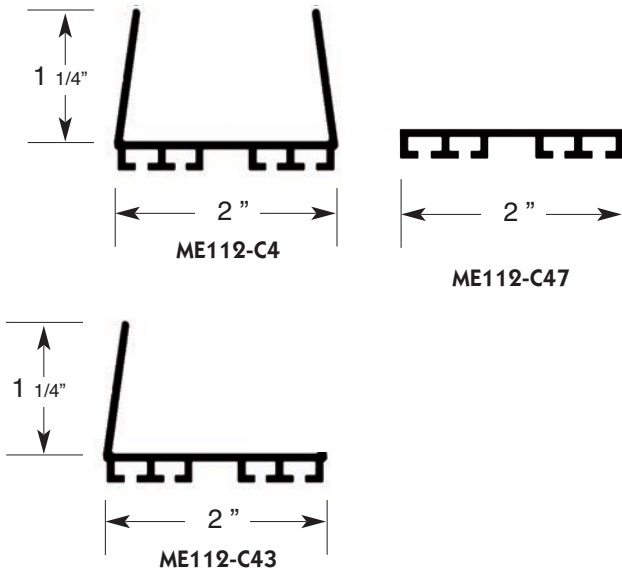
### Note

For safe operation, use a maximum 24 volt, 1/2 amp AC or DC power. For detailed installation and wiring instructions, contact Miller Edge, Inc.

### Care of the Clima-GUARD. . .

Minimal care is required for the Clima-GUARD since it is manufactured with only the most durable materials and the highest quality control standards. However, Sensing Edges should be examined regularly for cuts or punctures which could damage internal components. Check wiring to be sure connections are secure. When properly maintained, the Clima-GUARD offers years of trouble free operations.

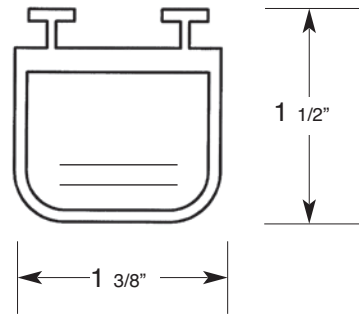
### Mounting Channel:



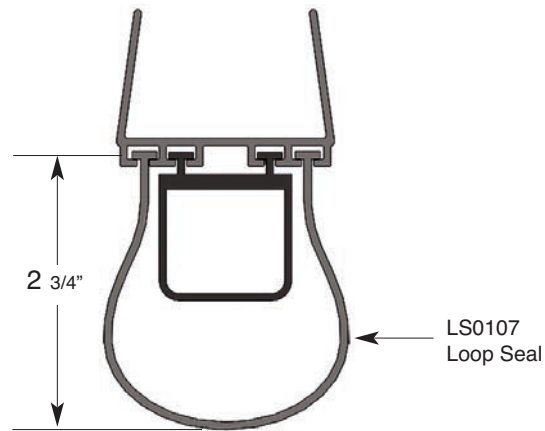
### Warranty

We will replace within one year of shipment from our factory, any sensing edge subject to normal use which is found to have defective materials or workmanship, as determined solely by our factory representative. Replacements will be shipped to you freight collect. This warranty is void where evidence of misuse or abuse is present.

### Mechanical Diagrams:



ME112



Assembled Clima-GUARD

