

Patriot-2[®] Z-Flap

MIRM-Z2, MIRF-Z2



TRAVELING THRU-BEAM PHOTO EYE

The Patriot-2 Z-Flap thru-beam photo optic system is designed to provide a non-contact safeguarding solution for motorized rolling doors. The system mounts between the two double angle bottom bars at the leading edge of the door, providing door to floor protection. When the infrared beam is blocked by an obstruction, a signal is sent to the operator to stop and/or reverse the motion of the door. Choose from monitored or fail-safe in 30 or 50-foot range models to suit the requirements of an installation. Fail-safe photo eyes includes self-monitored circuitry so that a signal is sent to the operator, regardless of loss of power, short, or blocked beam.



APPLICATIONS

- Motorized rolling doors

FEATURES

- Travels with the door for door to floor protection
- 30 ft. and 50 ft. range models
- Monitored and fail-safe models
- Flexible TPE housing; impact resistant for rugged environments
- Easy alignment and diagnostics with LED indicators
- Thru-beam technology minimizes false reflective signals
- Enhanced sunlight immunity
- NEMA 4 protection from moisture, dirt, and dust
- UL 325 Recognized Component
- 2-year warranty

610-869-4422
www.milleredge.com





Patriot-2[®] Z-Flap

MIRM-Z2, MIRF-Z2

OPTIONS

- Monitored models:
 - MIRM-Z2
 - MIRM-Z2-50
- Fail-safe, non-monitored models:
 - MIRF-Z2
 - MIRF-Z2-50

INCLUDED

- (1) Wired emitter
- (1) Wired receiver
- (2) Flexible flaps
- (2) Rigid mounting tabs
- (1) C222-15B coil cord
- (1) JB-02 junction box
- (1) Hardware kit
- (1) MIRCU-02: Infrared Control Unit (fail-safe models only)

GENERAL SPECIFICATIONS

	MIRM-Z2, MIRM-Z2-50	MIRF-Z2, MIRF-Z2-50
PERFORMANCE		
Operating Range	MIRM-Z2: 8-30 ft. (~2.25-9 m) MIRM-Z2-50: 20-50 ft. (~6-15 m)	MIRF-Z2: 8-30 ft. (~2.25-9 m) MIRF-Z2-50: 20-50 ft. (~6-15 m)
Number of Elements	1 element	1 element
Maximum Ambient Light	>100,000 lux	>100,000 lux
Aperture Angle	EM: ±10° RX: ±10°	EM: ±10° RX: ±10°
Operating Temperature	-40° to +185°F (-40° to +85°C)	-40° to +185°F (-40° to +85°C)
Agency Approvals	us UL 325 Recognized Component	

ELECTRICAL

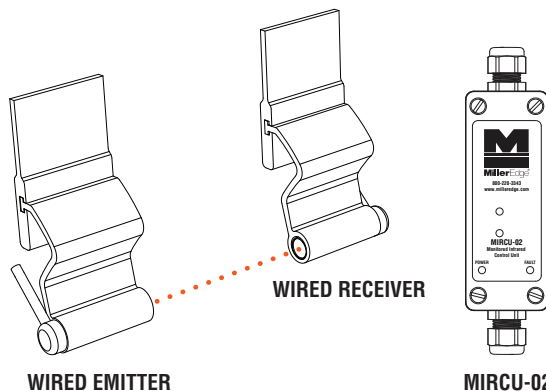
Power Source	8-30 volts AC / 12-42 volts DC	8-30 volts AC / 12-42 volts DC
Current Consumption	Aligned: 36mA @ 24 volts AC Obstruction: 15mA @ 24 volts AC	Aligned: 36mA @ 24 volts AC Obstruction: 15mA @ 24 volts AC
Relay Rating		MIRCU-02: 5A @ 250 volts AC
Output	Pulsed	N.O. and N.C.

PHYSICAL

Max. Protection Height	Door leading edge to floor	Door leading edge to floor
Dimensions	2 W x 2.75 H x 1.25 D in. (51 x 28 x 32 mm)	2 W x 2.75 H x 1.25 D in. (51 x 28 x 32 mm)
Weight	1.1 oz.	1.1 oz.
Housing Material	Flexible TPE	Flexible TPE
Bracket Material	Rigid PVC	Rigid PVC
LED Indicators	EM: Power RX: Power, obstruction, misaligned	EM: Power RX: Power, obstruction, misaligned
Cable Length	EM: 32 ft. (9.7 m) RX: 3 ft. (0.9 m)	EM: 32 ft. (9.7 m) RX: 3 ft. (0.9 m)
Mounting	Leading door edge with mounting tabs (included)	Leading door edge with mounting tabs (included)
Degree of Protection	NEMA 4, IP65	NEMA 4, IP65

RELATED PRODUCTS

- MIRCU-02: Infrared Control Unit (included with MIRF fail-safe models)



Contact Miller Edge to ensure compatibility.

© Miller Edge, Inc. All rights reserved
MIR22_20210101