

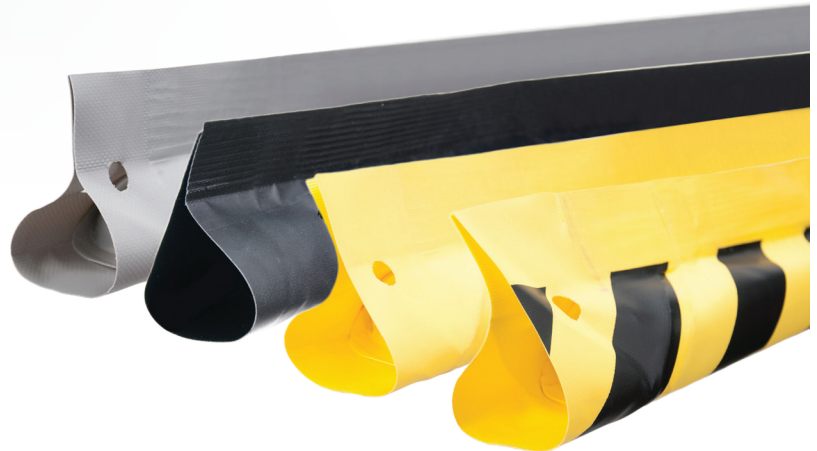
Sensing Edges

MT21, MT22, MT33



TOUCH SENSITIVE SIGNALING

The MT sensing edge product line consists of three standard models: MT21 (2"W x 1"H), MT22 (2"W x 2"H), and MT33 (3"W x 3"H). When touched lightly, the sensing edge will send an immediate signal to operator controls to stop and/or reverse door operation. The MT edge switch is covered in a durable vinyl jacket. The top tab inserts between the double-L angle bottoms bars on a rolling door. These sensing edges are flexible and can conform to irregularities in the floor.



APPLICATIONS

- Rolling fire doors
- Rolling steel doors
- Material handling systems

FEATURES

- Optimum size for 2+ inch thick surfaces
- Custom manufactured to user specifications for color, length, and outlet location
- Three standard models: MT21 (2"W x 1"H), MT22 (2"W x 2"H), MT33 (3"W x 3"H)
- 5-6 inch end flaps create a complete seal and can be trimmed for custom fit
- Extended color options including yellow chemical resistant XR5 jacket
- Flexible and will conform to floor irregularities
- Sealed assembly impervious to dust and debris
- Patented Alumaglas™ for superior performance (electric option)
- UL 325 Recognized Component
- 1-year warranty
- Made in USA

610-869-4422
www.milleredge.com





Sensing Edges

MT21, MT22, MT33

GENERAL SPECIFICATIONS

Color	● Gray, ● Black, ● Yellow, ● Y/B Stripe, or ● XR5 (yellow)
Length	Order in 1/4 in. increments (manufacturing tolerance $\pm 1/4$ in.)
Maximum Length	Electric ⚡: 150 ft., Air-Wave 🌊: 60 ft., Pneumatic 🌬️: 18 ft.
Sensitivity	Nominal 4-8 lbf
Lead Wire	SJTO, 18 gauge, 2 ft. length
Wire Outlet Location	Universal, left, or right
Electrical Maximum	24 volts AC/DC, 1/2 amp
Electrical Configuration	Normally open
Operating Temperature	Meets or exceeds UL requirement
Exterior Materials	Heavy duty reinforced PVC
Contact Element	Alumaglas™
Agency Approvals	UL 325 Recognized Component

OPTIONS

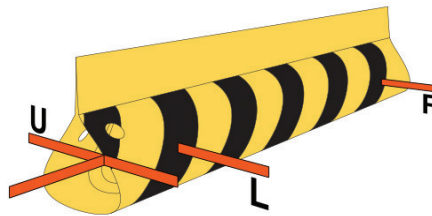
Configurations:

- Monitored
 - 2-Wire ⚡
 - 10K resistor
 - 8.2K resistor
 - Diode capacitor
 - 4-Wire ⚡
- Non-Monitored
 - 2-Wire ⚡
 - Air-Wave 🌊
 - Pneumatic 🌬️

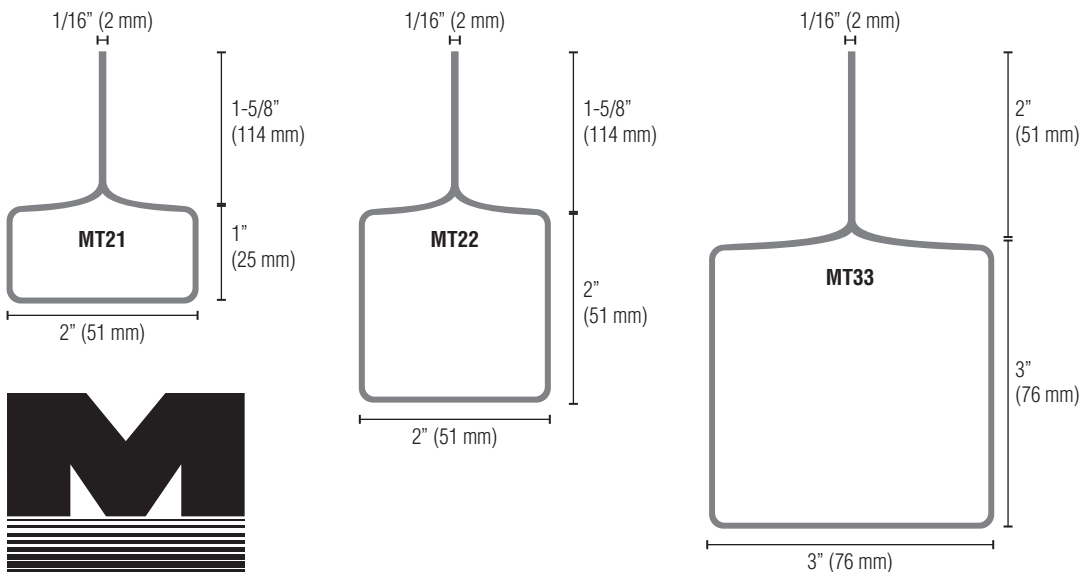
Other Options:

- XR5 chemically resistant cover (yellow)
- Series connect option
- Coil cord attached
- 10 ft. lead wire
- Vinyl loop

WIRE OUTLET LOCATION OPTIONS



DIMENSIONS



RELATED PRODUCTS



TRANSMITTERS/RECEIVERS



INTERFACE MODULES



COIL CORDS



RETRACTING REELS



JUNCTION BOXES



EDGE TESTER

Contact Miller Edge to ensure compatibility.

© Miller Edge, Inc. All rights reserved
MT_20201218