

# Signature Module

## Applications

- **Commercial Door & Gate Operators**

Miller Edge Signature Modules are designed for use with UL listed commercial door operators manufactured after August 29, 2010. The modules are engineered to emulate a monitored pulse signal required by some commercial door operators.

Signature Modules have been independently tested by Underwriters Laboratories and are approved as UL recognized components.

## DESIGN FEATURES:

- LED lights indicate device power or fault conditions
- Installs quickly
- Easy wiring connections



## TECHNICAL SPECIFICATIONS:

### Dimensions:

**Module:** 1.8 in (h) x 1.25 in (w) x .8 in (d)  
**J-Box:** 1.5 in (h) x 4 in (w) x 2 in (d)

**Enclosure: Module:** ABS Plastic with Epoxy Potting  
**Degree of Protection:** NEMA4  
**J-Box:** Metal, UL Listed

**Operating Temperature Range:** -35° C to 70° C

**Power Supply:** 5 to 40V

**Current:** 30mA

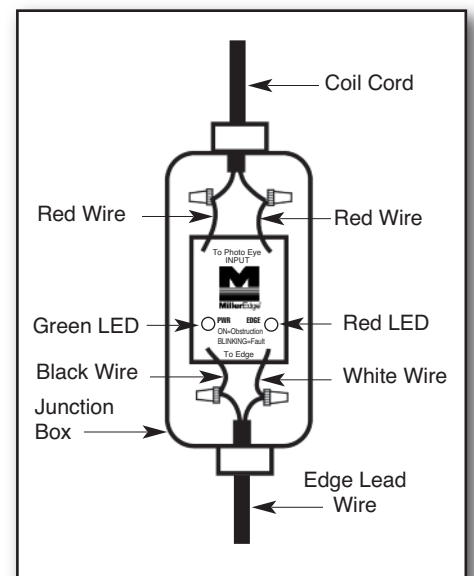
**Rating:** Class 2 device

### Models:

**SM101 = Miller Edge Sensor T3 (DC Edge) termination**  
**SM102 = Miller Edge Sensor T2 (10K Edge) termination**

**Approval:** UL325 recognized component

## WIRING DIAGRAM:



US Patent # 8,769,878

P.O. Box 159 • West Grove, PA 19390 • (610)869-4422 • Fax: (610)869-4423 • 800-220-3343  
 6809 South Harl Avenue, Suite A, Tempe, AZ 85283 • (480)755-3565 • Fax (480)755-3558 • 800-887-3343  
[www.milleredge.com](http://www.milleredge.com)

